

Standard Equipment/Optional Equipment

Standard Equipment

Modular truck design for optimum customization

Operator's compartment

Mast or load side controls
Suspension mounted cab to absorb shocks and vibration
Soft rubber mat isolates operator from shocks and vibration
Storage compartments, pen holders and space for bottles, cans or tools integrated into cab interior
LED display with hour meter, steered wheel position indicator, battery status and service codes
Very low step on height for easy and off access
Steering knob

Throughput

Durable polyurethane wheels
Regenerative electric braking through the drive motor for optimum use of energy
Battery discharge indicator with lift cutout

Optional Equipment

Operator's compartment

LCD „Comfort“ display with keypad log-on, lift height indicator, speedometer, hour meter, steered wheel position indicator, battery status and service codes
Alternative cabin widths (800 mm - 1500 mm)
Rearview mirrors (left/right) on load side and/or mast side
Steering wheel
Macrolon cover for overhead guard
Lighting focusable on rack, pallet or cab interior
Clipboard DIN A4
Fan in overhead guard
Radio preparation 12V/50W with 2 speakers and antenna
Linde LFM data management system

Throughput

2 different chassis, 790 mm and 980 mm to suit application
Supplementary lift 800 mm for easy order picking
Buttons for supplementary lift on load side for easy handling
Inching buttons for pedestrian operation on both sides
Truck prepared for data terminal, printer, scanner installation

Motors

4,0 kW lift motor for higher throughput
7,6 kW lift motor for maximum throughput

Motors

AC drive motor for robust, economical high performance with minimum wear and maintenance
3,0 KW drive motor
3,2 KW lift motor

Safety

Automatic reduction in travel speed with platform raised
All traction and lift functions interlocked through foot switch and sensors ensuring two handed operation

Safety

Side barriers fitted with gas struts and safety interlocks
Alternative speed reduction and end aisle stop functions
Lift and traction cut off
Anti-collision sensor for lifting
Warning lights
LSC for speed reduction with steering angle

Mast / Forks

Different fork lengths 700 mm - 2500 mm
Carriage for adjustable forks (FEM)

Environment

Mechanical side guidance
Cold store version
Antistatic guide rollers and wheels
On-line diagnosis tool

Battery

Alternative battery capacities
Side cover for battery
Electrical verification for battery lock

Motors

4,0 kW lift motor for higher throughput
7,6 kW lift motor for maximum throughput



Electric Medium-Level Order Picker 1000 kg V 10

Series 5021

Linde Material Handling

Linde

Safety

The V 10 truck is designed to guarantee the operator's safety when driving, lifting and order picking. Outstanding visibility through and to either side of the mast offers the highest level of security. The integrated touch sensors ensure 2 hand operation. The LSC lift control monitors lift height and steering angle automatically reducing traction speed when necessary.

Performance

Efficiency and high performance are the best words to describe the V 10. It is capable of picking at heights up to 6350 mm. Its powerful and economical AC drive unit combines optimum performance with low energy consumption and great reliability. Three different lift motor options allow the truck to be tailored to exactly match the application.

Comfort

The soft suspended stand-on platform and the low cab step height increases working comfort and makes the truck as easy to use at max. height as at floor level. Wide variety of storage compartments and options such as radio preparation, fans, preparation data terminals & scanners means the truck can be equipped for every kind of order picking application.

Features

Two versions are available

- Model V 10-01 with fixed forks welded to the operator platform, for working with walk on pallets
- Model V 10-02 with supplementary lift on operator platform, forks welded to fork carriage. Pallet can be raised to most convenient working level for picking. Optimum matching of lift carriage minimizes dead space to allow full utilization of pallet surface area

Modular concept

- Unique modular design allows the perfect specification for each application
- Combination of different lift motors, chassis, masts, batteries, cabins, etc. to suit every application
- Side guide rollers can be fitted for narrow aisle working



Control concept

- Simple ergonomic controls allow precise, accurate operation reducing driver fatigue and increasing throughput
- Simultaneous traction and lifting/ lowering
- Safe two handed operation ensured by integrated sensors



Drive and lift

- Robust, economical high performance traction and lift motors are fitted as standard
- Optional lift motor sizes (3 options for light, standard and heavy duty applications) allow truck performance to be matched to customer requirements



LSC

- Stepless automatic adjustment of speed depending on steering angle and lift height
- Highly efficient use of energy and energy recovering

Operators compartment

- Cab is suspension-mounted and has a floor designed to absorb shock and vibration
- Lighting to illuminate racks, load and/or cab
- Storage compartments, pen holders and space for bottles, cans or tools integrated in cab lining
- Radio preparation, fans, preparation for data terminals and scanners

Safety

- Two handed operation of controls via touch sensors ensures safety
- All traction and lift functions interlocked through deadman's switch and integrated 2 handed operation
- Automatic speed reduction when turning
- Emergency lowering under rear hood readily accessible in aisle



Display

- Easily seen LED or optional LCD display
- All relevant functions clearly displayed to operator
- Auxiliary functions such as rail guidance or battery lock indication incorporated into control console

Linde Material Handling GmbH, Postfach 100136, 63701 Aschaffenburg, Germany
Phone +49.6021.99-0, Fax +49.6021.99-1570, www.linde-mh.com, info@linde-mh.com



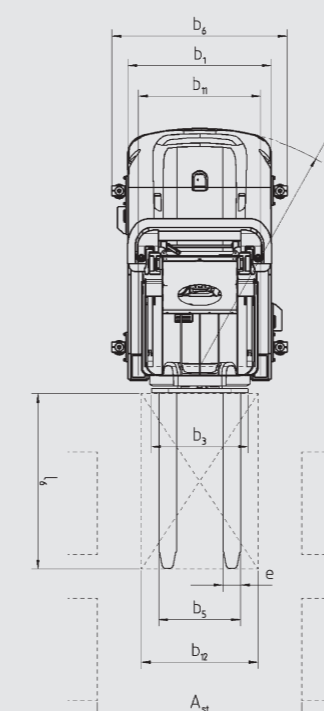
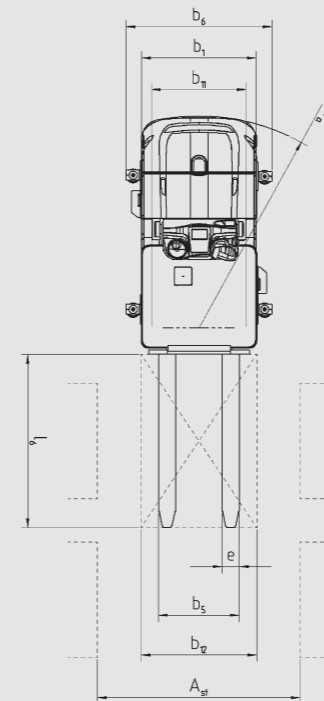
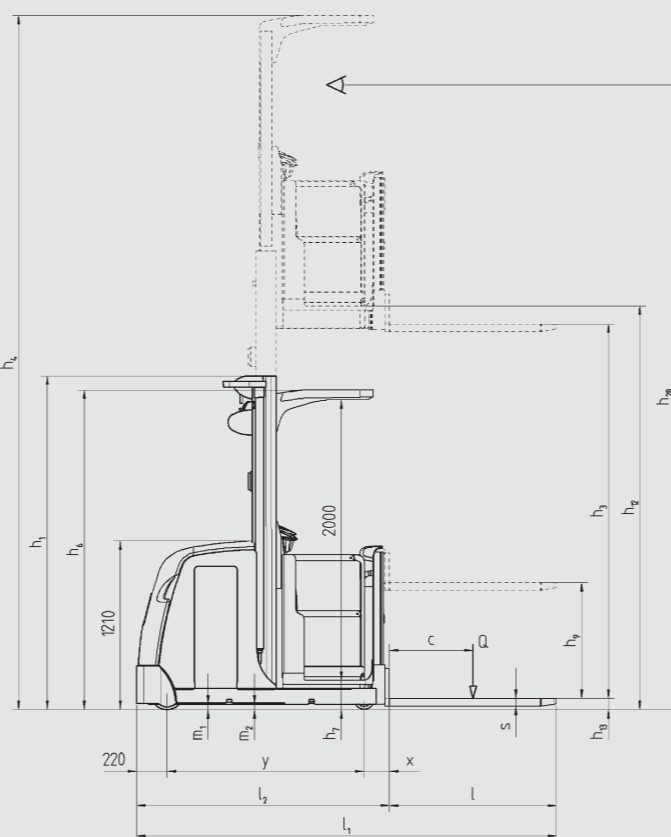
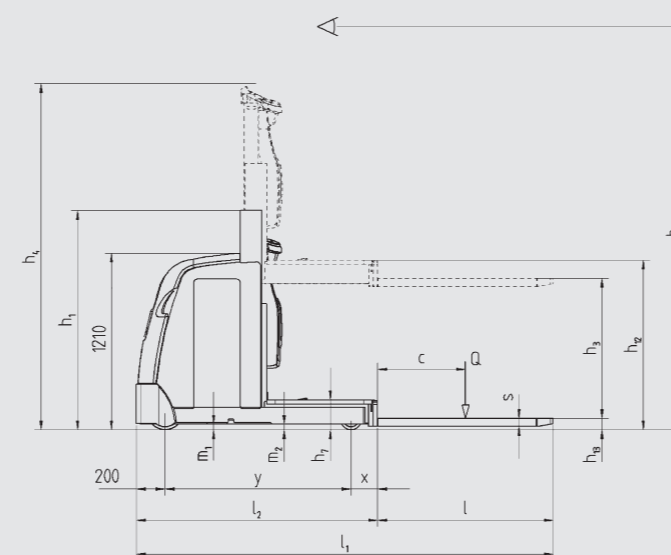
Subject to modification in the interests of progress. Illustrations and technical details not binding for actual constructions. All dimensions subject to usual tolerances.

Printed in Germany 120.e.2.0712.lindCKI

Technical Data according to VDI 2198

Characteristics	LINDE				
	Model designation	V10 Simplex mast ¹⁾	V10 Standard mast ¹⁾		
1.1	Manufacturer	LINDE	LINDE		
1.2	Model designation		V10 Simplex mast ¹⁾	V10 Standard mast ¹⁾	
1.3	Power unit	Battery	Battery		
1.4	Operation	Order Picker	Order Picker		
1.5	Load capacity	Q (t)	1.0	1.0	
1.6	Load centre	c (mm)	400	400	
1.8	Axle centre to fork face	x (mm)	190	190	
1.9	Wheelbase	y (mm)	1270	1415	
Weights	2.1	Service weight	(kg)	1754 ²⁾	2611 ²⁾
	2.2	Axle load with load, front/rear	(kg)	589 / 2165 ²⁾	1080 / 1531 ²⁾
2.3	Axle load without load, front/rear	(kg)	1054 / 700 ²⁾	1497 / 1114 ²⁾	
Wheels/Tyres	3.1	Tyres rubber, SE, pneumatic, polyurethane		Polyurethane	Polyurethane
	3.2	Tyre size, front		Ø 250 x 100	Ø 250 x 100
3.3	Tyre size, rear		Ø 150 x 100	Ø 150 x 100	
3.5	Wheels, number front/rear (x = driven)		1x / 2	1x / 2	
3.6	Track width, front	b10 (mm)	0	0	
3.7	Track width, rear	b11 (mm)	655	835	
Dimensions	4.2	Height of mast, lowered	h1 (mm)	2000	2900
	4.4	Lift	h3 (mm)	1500	4550
4.5	Height of mast, extended	h4 (mm)	3750	6800	
4.7	Height of overhead guard (cabin)	h6 (mm)	2250	2250	
4.8	Height of seat/stand-on platform	h7 (mm)	200	200	
4.11	Supplementary lift	h9 (mm)	800	800	
4.14	Platform height, raised	h12 (mm)	1700	4750	
4.15	Fork height, lowered	h13 (mm)	65	65	
4.19	Overall length	l1 (mm)	2460	2615	
4.20	Length to fork face	l2 (mm)	1660	1815	
4.21	Overall width	b1/b2 (mm)	790 / 790	980 / 980	
4.22	Fork dimensions	s/e/l (mm)	55 x 120 x 800	55 x 120 x 800	
4.23	Fork carriage to ISO 2328, class/type A, B		no	no	
4.24	Width of fork carriage	b3 (mm)	740	740	
4.25	Fork spread, min/max	b5 (mm)	560 / 640	560 / 640	
4.27	Width over side guide rollers	b6 (mm)	-	1375	
4.31	Ground clearance, below mast	m1 (mm)	38	38	
4.32	Ground clearance, centre of wheelbase	m2 (mm)	38	38	
4.34	Aisle width with pallet 800 x 1200 along forks	Ast (mm)	-	1380	
4.35	Turning radius	Wa (mm)	1470	1635	
4.42	End aisle width, with/without load	Au (mm)	2828	2984	
Performance	5.1	Travel speed, with/without load	(km/h)	9 / 9	10 / 10
	5.2	Lifting speed, with/without load	(m/s)	0.18 / 0.25	0.22 / 0.31
5.3	Lowering speed, with/without load	(m/s)	0.3 / 0.24	0.3 / 0.24	
5.9	Acceleration time, with/without load	(s)	7.0 / 7.0	8.0 / 8.0	
5.10	Service brake		Regenerative	Regenerative	
Drive	6.1	Drive motor, 60 minute rating	(kW)	3	3
	6.2	Lift motor rating at 53 15%	(kW)	4	7.6
6.3	Battery according to DIN 43531/35/36 A,B,C,no		43 535 / B	43 535 / A	
6.4	Battery voltage/rated capacity (5h)	(V/Ah)	24 / 420	24 / 560	
6.5	Battery weight (+ 5%)	(kg)	385	502	
Others	8.1	Type of drive control		Microprocessor	Microprocessor
	8.4	Noise level at operator's ear	(dB(A))	61	69

1) Exemplary configuration based on a modular truck system. Please contact your local sales department for an individual truck configuration
2) Figures with battery, see line 6.4/6.5.



V10 with simplex mast (1)

Height of mast lowered	h1 (mm)	1500	2000	2500
Lift height without supplementary mast	h3 (mm)	1000	1500	1910
Lift height with supplementary mast	h3+h9 (mm)	1800	2300	2710
Total lift height from ground	h25 (mm)	1865	2365	2775
Supplementary lift	h9 (mm)	800	800	800
Platform height	h12 (mm)	1200	1700	2110
Picking height (h12+1600mm)	h28 (mm)	2800	3300	3710
Extended height	h4 (mm)	2390	3750	4160

1.) available with 790 mm and 980 mm chassis width

V10 with standard mast (2)

Height of mast lowered	h1 (mm)	2400	2900	-
Lift height without supplementary mast	h3 (mm)	3550	4550	-
Lift height with supplementary mast	h3+h9 (mm)	4350	5350	-
Total lift height from ground	h25 (mm)	4415	5415	-
Supplementary lift	h9 (mm)	800	800	-
Platform height	h12 (mm)	3750	4750	-
Picking height (h12+1600mm)	h28 (mm)	5350	6350	-
Extended height	h4 (mm)	5800	6800	-

2.) available with 980 mm chassis width

