



Electric trucks

Xi14–Xi20 R | Xi16–Xi20 RP

Load capacity 1.4 t – 2.0 t | Series 1251

ION

Trendsetter with optimised visibility

- Powerful electric counterbalance forklift truck with up to 2 tonnes capacity
- Innovative Roadster (R) without A-pillar offers unbeatable all-round visibility
- Integrated Li-ION battery (Xi) means greater headroom and legroom
- Powerful 90-volt technology delivers above-average lifting and lowering speeds
- Unbeatable manoeuvrability thanks to 3-wheel version with pivot plate axle
- 4-wheel version (P) with combination steering axle for optimum stability
- Steering column is superfluous thanks to innovative Linde Steer Control operating concept with joystick or mini wheel (optional)

TECHNICAL DATA (according to VDI 2198)

Characteristics	1.1	Manufacturer (abbreviation)		Linde MH	Linde MH	Linde MH	Linde MH
	1.2	Manufacturer's type designation		Xi14 R	Xi16 R	Xi18 R	Xi20 R
	1.2a	Series		1251-01	1251-01	1251-01	1251-01
	1.3	Drive		Battery	Battery	Battery	Battery
	1.4	Operation		Seated	Seated	Seated	Seated
	1.5	Rated capacity/rated load	Q (t)	1.4	1.6	1.8	2.0
	1.6	Load centre distance	c (mm)	500	500	500	500
	1.8	Load distance, centre of drive axle to fork	x (mm)	369.9	369.9	374.9	378.9
	1.9	Wheelbase	y (mm)	1331 ¹⁾	1371 ¹⁾	1419 ¹⁾	1459 ¹⁾
Weight	2.1	Service weight	kg	2870 ²⁾	3062 ²⁾	3339 ²⁾	3404 ²⁾
	2.2	Axle loading, laden front/rear	kg	3607/663	3953/709	4350/789	4689/715
	2.3	Axle loading, unladen front/rear	kg	1292/1578 ²⁾	1338/1724 ²⁾	1440/1899 ²⁾	1484/1920 ²⁾
Tyres/chassis	3.1	Tyres (solid rubber, super-elastic, pneumatic, polyurethane)		SE	SE	SE	SE
	3.2	Tyre size, front		180/70-8 (18x7-8)	180/70-8 (18x7-8)	200/50-10	200/50-10
	3.3	Tyre size, rear		125/75-8 (15x4 1/2-8)	140/55-9	140/55-9	140/55-9
	3.5	Wheels, number front/rear (x = driven wheels)		2x/2	2x/2	2x/2	2x/2
	3.6	Tread, front	b10 (mm)	930	930	966	966
	3.7	Tread, rear	b11 (mm)	176	172	172	172
	Dimensions	4.1	Mast/fork carriage tilt, forward/backward	α/β (°)	5.0/7.0	5.0/7.0	5.0/7.0
4.2		Mast height, lowered	h1 (mm)	2145	2145	2144	2144
4.3		Free lift	h2 (mm)	150	150	150	150
4.4		Lift	h3 (mm)	3050	3050	3050	3050
4.5		Mast height, extended	h4 (mm)	3656	3656	3655	3655
4.7		Height of overhead guard (cabin)	h6 (mm)	2080	2079	2078	2078
4.8		Seat height relating to SIP/stand height	h7 (mm)	1022/-	1021/-	1022/-	1021/-
4.12		Coupling height	h10 (mm)	531	530	531	530
4.19		Overall length	l1 (mm)	2782	2822	2875	2919
4.20		Length to fork face	l2 (mm)	1882	1922	1975	2019
4.21		Overall width	b1/b2 (mm)	1086/-	1086/-	1173/-	1173/-
4.22		Fork dimensions DIN ISO 2331	s/e/l (mm)	40/80/900	40/80/900	45/100/900	45/100/900
4.23		Fork carriage to ISO 2328, class/type A, B		2A	2A	2A	2A
4.24		Fork carriage width	b3 (mm)	980	980	980	980
4.31		Ground clearance, laden, below mast	m1 (mm)	93	91	95	93
4.32		Ground clearance, centre of wheelbase	m2 (mm)	100	99	97	96
4.34.1		Aisle width for pallets 1000 × 1200 crossways	Ast (mm)	3208 ³⁾	3248 ³⁾	3300 ³⁾	3344 ³⁾
4.34.2		Aisle width for pallets 800 × 1200 lengthways	Ast (mm)	3332 ³⁾	3372 ³⁾	3423 ³⁾	3469 ³⁾
4.35		Turning radius	Wa (mm)	1512	1552	1600	1640
4.36		Inside turning radius	b13 (mm)	0	0	0	0
Performance	5.1	Travel speed, laden/unladen	km/h	20/20	20/20	20/20	20/20
	5.1.1	Travel speed, laden/unladen, backward	km/h	20/20	20/20	20/20	20/20
	5.2	Lifting speed, laden/unladen	m/s	0.66/0.75	0.63/0.75	0.6/0.75	0.57/0.75
	5.3	Lowering speed, laden/unladen	m/s	0.58/0.5	0.58/0.5	0.58/0.5	0.58/0.5
	5.5	Drawbar pull, laden/unladen	N	4000/4000	4000/4000	4000/4000	4000/4000
	5.6	Max. drawbar pull, laden/unladen	N	12000/12000	12000/12000	12000/12000	12000/12000
	5.7	Gradeability, laden/unladen	%	17.7/28.3	15.9/26.3	14.0/23.4	12.9/22.1
	5.8	Max. gradeability, laden/unladen	%	29.4/48.4	26.5/44.5	23.3/39.3	21.5/37.0
	5.9	Acceleration time, laden/unladen	s	5.0/4.4	5.2/4.5	5.5/4.7	5.5/4.7
	5.10	Service brake		mech./elect.	mech./elect.	mech./elect.	mech./elect.
Electric-engine	6.1	Drive motor rating S2 60 min	kW	2x 6.5	2x 6.5	2x 6.5	2x 6.5
	6.2	Lift motor rating at S3 15%	kW	13	13	13	13
	6.3	Battery according to DIN 43531/35/36 A, B, C, no		Li-ION	Li-ION	Li-ION	Li-ION
	6.4	Battery voltage/nominal capacity K5	(V)/(Ah) or kWh	90/184	90/184	90/276	90/276
	6.4a	Battery energy content	kWh	14.94	14.94	22.41	22.41
	6.5	Battery weight (±5%)	kg	186	186	268	268
	6.6	Energy consumption according to DIN EN 16796	kWh/h	3.6	3.8	4.1	4.3
	6.6.1	CO2 equivalent compliant with DIN EN 16796	kg/h	1.9	2.1	2.2	2.3
	6.7	Turnover output according to VDI 2198	t/h	117	133	148	163
6.8	Turnover efficiency according to VDI 2198	t/kWh	19.2	20.7	21.8	23.1	
Additional data	10.1	Operating pressure for attachments	bar	170	170	170	170
	10.2	Oil flow for attachments	l/min	32	32	32	32
	10.7	Sound pressure level LpAZ (at the operator's seat)	dB(A)	66	66	66	66
	11.2	Stability		1.73	1.7	1.71	1.67

1) With vertical mast

2) Incl. battery, lines 6.4/6.5.

3) Incl. a = 200 mm safety distance

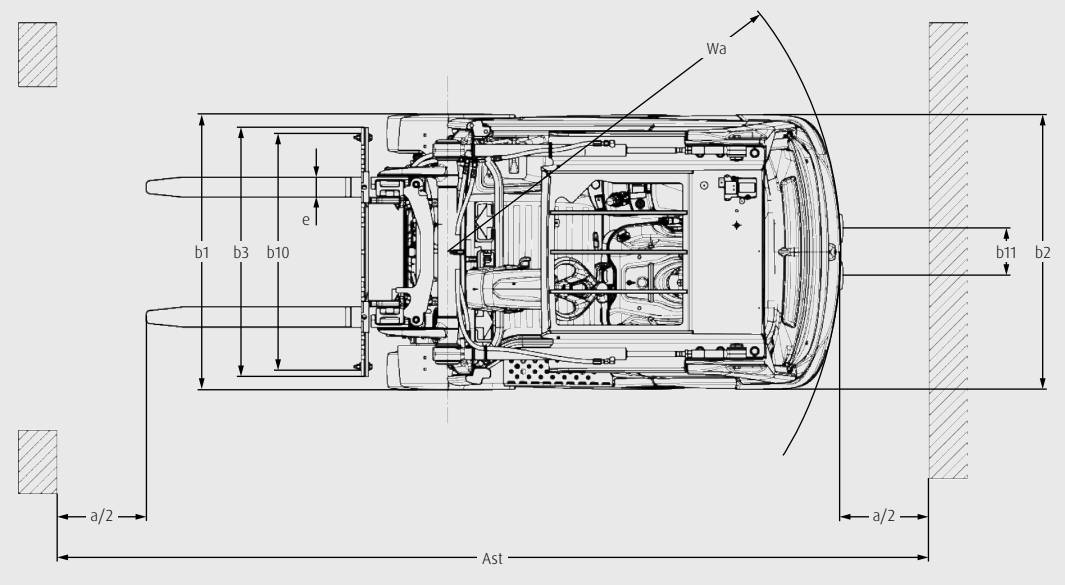
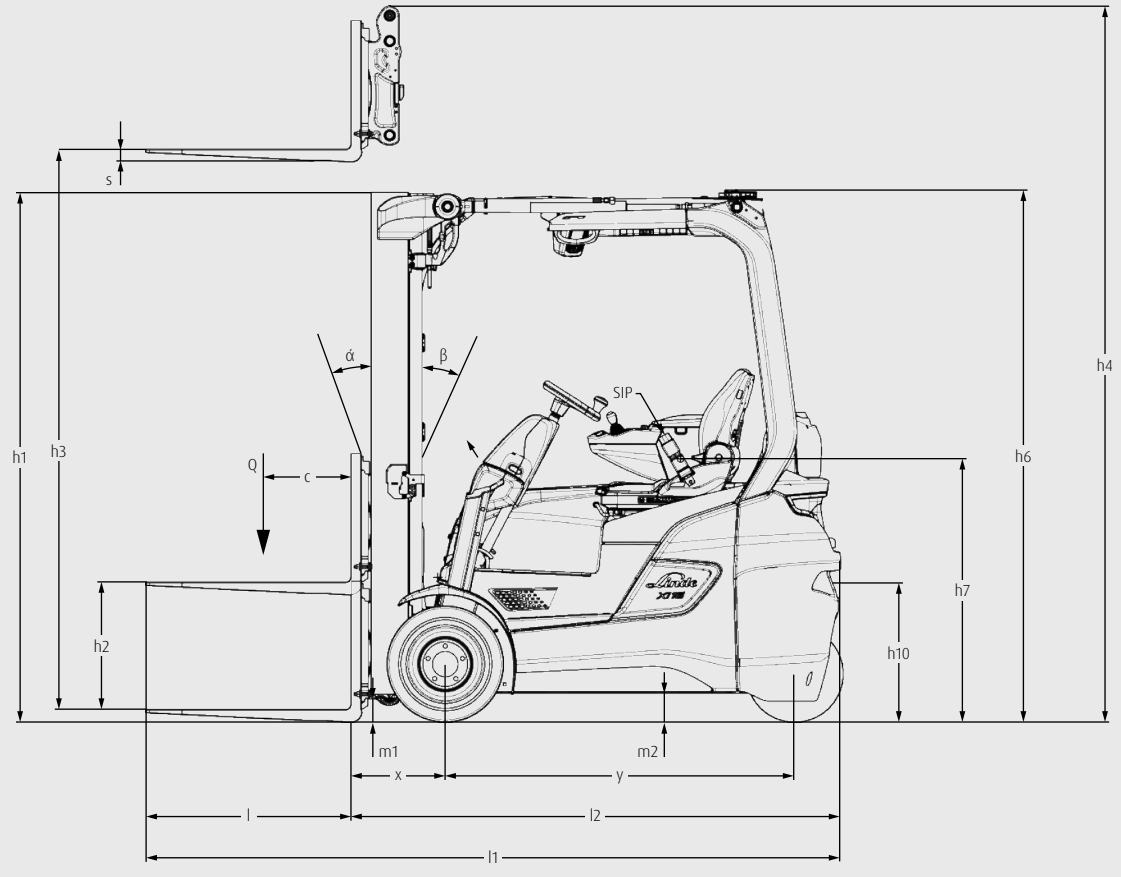
TECHNICAL DATA (according to VDI 2198)

Characteristics	1.1	Manufacturer (abbreviation)		Linde MH	Linde MH	Linde MH
	1.2	Manufacturer's type designation		Xi16 RP	Xi18 RP	Xi20 RP
	1.2a	Series		1251-01	1251-01	1251-01
	1.3	Drive		Battery	Battery	Battery
	1.4	Operation		Seated	Seated	Seated
	1.5	Rated capacity/rated load	Q (t)	1.6	1.8	2.0
	1.6	Load centre distance	c (mm)	500	500	500
	1.8	Load distance, centre of drive axle to fork	x (mm)	369.9	374.9	378.9
	1.9	Wheelbase	y (mm)	1417 ¹⁾	1452 ¹⁾	1502 ¹⁾
Weight	2.1	Service weight	kg	3045 ²⁾	3315 ²⁾	3538 ²⁾
	2.2	Axle loading, laden front/rear	kg	3931/714	4349/766	4709/829
	2.3	Axle loading, unladen front/rear	kg	1349/1696 ²⁾	1464/1851 ²⁾	1539/1999 ²⁾
Tyres/chassis	3.1	Tyres (solid rubber, super-elastic, pneumatic, polyurethane)		SE	SE	SE
	3.2	Tyre size, front		180/70-8 (18x7-8)	200/50-10	200/50-10
	3.3	Tyre size, rear		150/75-8 (16x6-8)	150/75-8 (16x6-8)	150/75-8 (16x6-8)
	3.5	Wheels, number front/rear (x = driven wheels)		2x/2	2x/2	2x/2
	3.6	Tread, front	b10 (mm)	930	966	966
	3.7	Tread, rear	b11 (mm)	837	837	837
	Dimensions	4.1	Mast/fork carriage tilt, forward/backward	α/β (°)	5.0/7.0	5.0/7.0
4.2		Mast height, lowered	h1 (mm)	2145	2144	2143
4.3		Free lift	h2 (mm)	150	150	150
4.4		Lift	h3 (mm)	3050	3050	3050
4.5		Mast height, extended	h4 (mm)	3656	3655	3654
4.7		Height of overhead guard (cabin)	h6 (mm)	2079	2077	2076
4.8		Seat height relating to SIP/stand height	h7 (mm)	1021	1021	1021
4.12		Coupling height	h10 (mm)	547	547	546
4.19		Overall length	l1 (mm)	2921	2961	3015
4.20		Length to fork face	l2 (mm)	2021	2061	2115
4.21		Overall width	b1/b2 (mm)	1086	1173	1173
4.22		Fork dimensions DIN ISO 2331	s/e/l (mm)	40/80/900	45/100/900	45/100/900
4.23		Fork carriage to ISO 2328, class/type A, B		2A	2A	2A
4.24		Fork carriage width	b3 (mm)	980	980	980
4.31		Ground clearance, laden, below mast	m1 (mm)	91	95	93
4.32		Ground clearance, centre of wheelbase	m2 (mm)	99	97	97
4.34.1		Aisle width for pallets 1000 × 1200 crossways	Ast (mm)	3347 ³⁾	3386 ³⁾	3440 ³⁾
4.34.2		Aisle width for pallets 800 × 1200 lengthways	Ast (mm)	3471 ³⁾	3511 ³⁾	3565 ³⁾
4.35		Turning radius	Wa (mm)	1651	1686	1736
4.36		Inside turning radius	b13 (mm)	0	0	0
Performance	5.1	Travel speed, laden/unladen	km/h	21/21	21/21	21/21
	5.1.1	Travel speed, laden/unladen, backward	km/h	21/21	21/21	21/21
	5.2	Lifting speed, laden/unladen	m/s	0.6/0.75	0.6/0.75	0.57/0.75
	5.3	Lowering speed, laden/unladen	m/s	0.58/0.5	0.58/0.5	0.58/0.5
	5.5	Drawbar pull, laden/unladen	N	4000/4000	4000/4000	4000/4000
	5.6	Max. drawbar pull, laden/unladen	N	12000/12000	12000/12000	12000/12000
	5.7	Gradeability, laden/unladen	%	16.0/26.4	14.1/23.5	12.8/21.8
	5.8	Max. gradeability, laden/unladen	%	26.6/44.7	23.4/39.6	21.3/36.5
	5.9	Acceleration time, laden/unladen	s	5.1/4.5	5.3/4.6	5.5/4.7
	5.10	Service brake		mech./elect.	mech./elect.	mech./elect.
Electric-engine	6.1	Drive motor rating S2 60 min	kW	2x 6.5	2x 6.5	2x 6.5
	6.2	Lift motor rating at S3 15%	kW	13	13	13
	6.3	Battery according to DIN 43531/35/36 A, B, C, no		Li-ION	Li-ION	Li-ION
	6.4	Battery voltage/nominal capacity K5	(V)/(Ah) or kWh	90/184	90/276	90/276
	6.4a	Battery energy content	kWh	14.94	22.41	22.41
	6.5	Battery weight (±5%)	kg	186	268	268
	6.6	Energy consumption according to DIN EN 16796	kWh/h	4	4.3	4.5
	6.6.1	CO2 equivalent compliant with DIN EN 16796	kg/h	2.2	2.3	2.5
	6.7	Turnover output according to VDI 2198	t/h	133	148	163
6.8	Turnover efficiency according to VDI 2198	t/kWh	20.7	21.8	22.9	
Additional data	10.1	Operating pressure for attachments	bar	170	170	170
	10.2	Oil flow for attachments	l/min	32	32	32
	10.7	Sound pressure level LpAZ (at the operator's seat)	dB(A)	66	66	66
	11.2	Stability		1.73	1.71	1.71

1) With vertical mast

2) Incl. battery, lines 6.4/6.5.

3) Incl. a = 200 mm safety distance



MAST TABLES

STANDARD MAST (in mm)

Series	1521								
Lift	h3: 2800	h3: 2950	h3: 3150	h3: 3250	h3: 3350	h3: 3850	h3: 4250	h3: 4650	h3: 5650
Height measurements	h1: 2025 h2: 150 h4: 3410	h1: 2100 h2: 150 h4: 3560	h1: 2200 h2: 150 h4: 3760	h1: 2250 h2: 150 h4: 3860	h1: 2300 h2: 150 h4: 3960	h1: 2550 h2: 150 h4: 4460	h1: 2750 h2: 150 h4: 4860	h1: 2950 h2: 150 h4: 5260	h1: 3450 h2: 150 h4: 6260
Manufacturer's type designation									
Xi14 R	<input type="radio"/>	<input type="radio"/>	<input type="radio"/>	<input type="radio"/>	<input type="radio"/>	<input type="radio"/>	<input type="radio"/>	<input type="radio"/>	<input type="radio"/>
Xi16 R	<input type="radio"/>	<input type="radio"/>	<input type="radio"/>	<input type="radio"/>	<input type="radio"/>	<input type="radio"/>	<input type="radio"/>	<input type="radio"/>	<input type="radio"/>
Xi18 R	<input type="radio"/>	<input type="radio"/>	<input type="radio"/>	<input type="radio"/>	<input type="radio"/>	<input type="radio"/>	<input type="radio"/>	<input type="radio"/>	<input type="radio"/>
Xi20 R	<input type="radio"/>	<input type="radio"/>	<input type="radio"/>	<input type="radio"/>	<input type="radio"/>	<input type="radio"/>	<input type="radio"/>	<input type="radio"/>	<input type="radio"/>
Xi16 RP	<input type="radio"/>	<input type="radio"/>	<input type="radio"/>	<input type="radio"/>	<input type="radio"/>	<input type="radio"/>	<input type="radio"/>	<input type="radio"/>	<input type="radio"/>
Xi18 RP	<input type="radio"/>	<input type="radio"/>	<input type="radio"/>	<input type="radio"/>	<input type="radio"/>	<input type="radio"/>	<input type="radio"/>	<input type="radio"/>	<input type="radio"/>
Xi20 RP	<input type="radio"/>	<input type="radio"/>	<input type="radio"/>	<input type="radio"/>	<input type="radio"/>	<input type="radio"/>	<input type="radio"/>	<input type="radio"/>	<input type="radio"/>

DUPLEX MAST (in mm)

Series	1521						
Lift	h3: 2795	h3: 2945	h3: 3145	h3: 3245	h3: 3345	h3: 3545	h3: 3845
Height measurements	h1: 1945 h2: 1343 h4: 3405	h1: 2020 h2: 1418 h4: 3555	h1: 2120 h2: 1518 h4: 3755	h1: 2170 h2: 1568 h4: 3855	h1: 2220 h2: 1618 h4: 3955	h1: 2320 h2: 1718 h4: 4155	h1: 2470 h2: 1868 h4: 4455
Manufacturer's type designation							
Xi14 R	<input type="radio"/>	<input type="radio"/>	<input type="radio"/>	<input type="radio"/>	<input type="radio"/>	<input type="radio"/>	<input type="radio"/>
Xi16 R	<input type="radio"/>	<input type="radio"/>	<input type="radio"/>	<input type="radio"/>	<input type="radio"/>	<input type="radio"/>	<input type="radio"/>
Xi18 R	<input type="radio"/>	<input type="radio"/>	<input type="radio"/>	<input type="radio"/>	<input type="radio"/>	<input type="radio"/>	<input type="radio"/>
Xi20 R	<input type="radio"/>	<input type="radio"/>	<input type="radio"/>	<input type="radio"/>	<input type="radio"/>	<input type="radio"/>	<input type="radio"/>
Xi16 RP	<input type="radio"/>	<input type="radio"/>	<input type="radio"/>	<input type="radio"/>	<input type="radio"/>	<input type="radio"/>	<input type="radio"/>
Xi18 RP	<input type="radio"/>	<input type="radio"/>	<input type="radio"/>	<input type="radio"/>	<input type="radio"/>	<input type="radio"/>	<input type="radio"/>
Xi20 RP	<input type="radio"/>	<input type="radio"/>	<input type="radio"/>	<input type="radio"/>	<input type="radio"/>	<input type="radio"/>	<input type="radio"/>

TRIPLEX MAST (in mm)

Series	1521								
Lift	h3: 4100	h3: 4325	h3: 4625	h3: 4775	h3: 4925	h3: 5475	h3: 5625	h3: 6075	h3: 6225
Height measurements	h1: 1953 h2: 1343 h4: 4710	h1: 2028 h2: 1418 h4: 4935	h1: 2128 h2: 1518 h4: 5235	h1: 2178 h2: 1568 h4: 5385	h1: 2228 h2: 1618 h4: 5535	h1: 2478 h2: 1868 h4: 6085	h1: 2528 h2: 1918 h4: 6235	h1: 2678 h2: 2068 h4: 6685	h1: 2728 h2: 2118 h4: 6835
Manufacturer's type designation									
Xi14 R	<input type="radio"/>	<input type="radio"/>	<input type="radio"/>	<input type="radio"/>	<input type="radio"/>	<input type="radio"/>	<input type="radio"/>	<input type="radio"/>	<input type="radio"/>
Xi16 R	<input type="radio"/>	<input type="radio"/>	<input type="radio"/>	<input type="radio"/>	<input type="radio"/>	<input type="radio"/>	<input type="radio"/>	<input type="radio"/>	<input type="radio"/>
Xi18 R	<input type="radio"/>	<input type="radio"/>	<input type="radio"/>	<input type="radio"/>	<input type="radio"/>	<input type="radio"/>	<input type="radio"/>	<input type="radio"/>	<input type="radio"/>
Xi20 R	<input type="radio"/>	<input type="radio"/>	<input type="radio"/>	<input type="radio"/>	<input type="radio"/>	<input type="radio"/>	<input type="radio"/>	<input type="radio"/>	<input type="radio"/>
Xi16 RP	<input type="radio"/>	<input type="radio"/>	<input type="radio"/>	<input type="radio"/>	<input type="radio"/>	<input type="radio"/>	<input type="radio"/>	<input type="radio"/>	<input type="radio"/>
Xi18 RP	<input type="radio"/>	<input type="radio"/>	<input type="radio"/>	<input type="radio"/>	<input type="radio"/>	<input type="radio"/>	<input type="radio"/>	<input type="radio"/>	<input type="radio"/>
Xi20 RP	<input type="radio"/>	<input type="radio"/>	<input type="radio"/>	<input type="radio"/>	<input type="radio"/>	<input type="radio"/>	<input type="radio"/>	<input type="radio"/>	<input type="radio"/>

Optional equipment

h1: Mast height, lowered

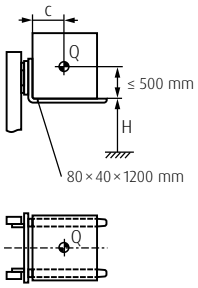
h2: Free lift

h3: Lift

h4: Mast height, extended

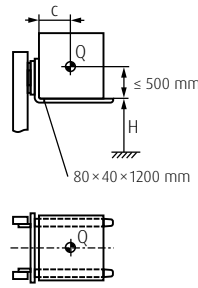
LOAD CAPACITY

Xi14 R



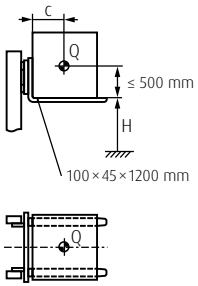
H (mm)	Q (kg)				
6500	950	850	770	700	
6300	1030	930	840	770	
6200	1080	960	870	800	
6100	1120	1000	910	830	
6000	1160	1040	950	860	
5900	1210	1080	980	900	
5800	1250	1120	1020	930	
5700	1300	1160	1050	960	
5600	1320	1180	1070	980	
5500	1350	1210	1090	1000	
5400	1370	1230	1110	1020	
≤ 5300	1400	1250	1130	1040	
c (mm)	400-500	600	700	800	

Xi16 R



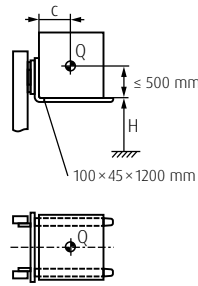
H (mm)	Q (kg)				
6500	1050	940	850	780	
6300	1150	1030	930	850	
6100	1250	1120	1010	920	
6000	1300	1160	1050	960	
5900	1350	1210	1090	1000	
5800	1400	1250	1130	1040	
5700	1450	1300	1170	1070	
5600	1500	1340	1210	1110	
5500	1520	1360	1230	1130	
5400	1550	1390	1260	1150	
5300	1570	1410	1280	1170	
≤ 5200	1600	1430	1300	1180	
c (mm)	400-500	600	700	800	

Xi18 R



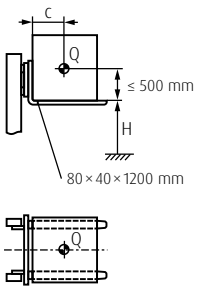
H (mm)	Q (kg)				
6200	1370	1220	1110	1020	
6100	1410	1270	1150	1050	
6000	1460	1310	1190	1090	
5900	1510	1350	1230	1120	
5800	1560	1400	1270	1160	
5700	1610	1440	1310	1190	
5600	1640	1470	1330	1220	
5500	1670	1500	1360	1240	
5400	1700	1530	1380	1260	
5300	1730	1550	1410	1290	
5200	1760	1580	1430	1310	
≤ 5100	1800	1610	1460	1340	
c (mm)	400-500	600	700	800	

Xi20 R



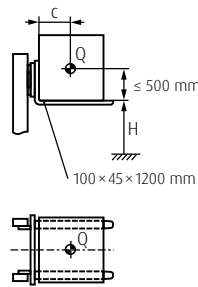
H (mm)	Q (kg)				
6200	1500	1340	1220	1110	
6000	1590	1430	1300	1190	
5800	1690	1520	1370	1260	
5600	1790	1600	1450	1330	
5500	1810	1630	1470	1350	
5400	1840	1650	1500	1370	
5300	1860	1670	1520	1390	
5200	1890	1700	1540	1410	
5100	1920	1720	1560	1430	
5000	1940	1740	1580	1450	
4900	1970	1770	1600	1470	
≤ 4800	2000	1790	1620	1490	
c (mm)	400-500	600	700	800	

Xi16 RP



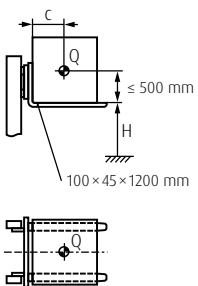
H (mm)	Q (kg)				
6500	1050	940	850	780	
6300	1150	1030	930	850	
6100	1250	1120	1010	920	
6000	1300	1160	1050	960	
5900	1350	1210	1090	1000	
5800	1400	1250	1130	1040	
5700	1450	1300	1170	1070	
5600	1500	1340	1210	1110	
5500	1520	1360	1230	1130	
5400	1550	1390	1260	1150	
5300	1570	1410	1280	1170	
≤ 5200	1600	1430	1300	1180	
c (mm)	400-500	600	700	800	

Xi18 RP



H (mm)	Q (kg)				
6200	1370	1220	1110	1020	
6100	1410	1270	1150	1050	
6000	1460	1310	1190	1090	
5900	1510	1350	1230	1120	
5800	1560	1400	1270	1160	
5700	1610	1440	1310	1190	
5600	1640	1470	1330	1220	
5500	1670	1500	1360	1240	
5400	1700	1530	1380	1260	
5300	1730	1550	1410	1290	
5200	1760	1580	1430	1310	
≤ 5100	1800	1610	1460	1340	
c (mm)	400-500	600	700	800	

Xi20 RP



H (mm)	Q (kg)				
6200	1510	1350	1230	1120	
6000	1610	1440	1310	1200	
5900	1660	1490	1350	1240	
5800	1710	1540	1390	1270	
5700	1760	1580	1430	1310	
5600	1810	1630	1480	1350	
5500	1870	1670	1520	1390	
5400	1890	1700	1540	1410	
5300	1920	1720	1560	1430	
5200	1940	1740	1580	1450	
5100	1970	1770	1600	1470	
≤ 5000	2000	1790	1620	1490	
c (mm)	400-500	600	700	800	

H = Lifting height
c = Load centre distance
Q = Load capacity

Load capacity for standard mast and fork carriage

STANDARD AND OPTIONAL EQUIPMENT

Manufacturer's type designation/equipment		Xi14 – Xi20 R Xi16 – Xi20 RP
Safety	Linde Curve Assist – automatic reduction of travel speed around corners	●
	Electric seat belt monitoring – visual and audible feedback	●
	Linde Load Assist – increased safety at high lifting heights	●
	BlueSpot and TruckSpot – visual drive path warning for pedestrians and operators	○
	Load weight display	○
	Linde Safety Pilot – load-dependent driving and lifting speed regulation with additional functions	○
	Linde Safety Guard – visual and audible proximity warning between trucks or between trucks and pedestrians	○
	Speed restriction options (via switch, indoor/outdoor, load-dependent)	○
	Electrical monitoring restraint system (optional monitoring: Door and/or belt)	○
	Linde LED stripes – increased safety thanks to optimal illumination of the respective direction of travel (via switch or automatic)	○
	Linde VertiLight – best view of the rack, load and pins due to extensive illumination area	○
	Reverse Assist Radar – rear collision avoidance	○
	Reverse Assist camera – camera-based person detection for avoiding accidents	○
Digitalisation	Online data transmission	●
	WiFi data transmission	○
	Linde Fleet Management (local and cloud-based fleet management with various modules)	○
	Linde Pre-Op Check – customisable daily inspection log to check the readiness of the truck for operation, integrated in the truck display	○
	Truck Call app – coordination of transport jobs	○
Operation/ load handling	Twin pedal control – smooth acceleration and quick direction changes	●
	Single pedal control – smooth acceleration	○
	Linde Load Control – central control lever fully integrated into the armrest for precise control of all hydraulic functions	●
	Multifunction lever – effortless control and increased ease of use	○
	Individual lever control of hydraulic functions	○
Workplace	Innovative decoupling concept with ring bearings for low human vibrations	●
	Ergonomic and safe entry into the vehicle thanks to large and low step	●
	Steering wheel with tilt adjustment	●
	Comfort overhead guard for optimum headroom	●
	Operator's seat – quick, easy mechanical weight adjustment	●
	Different operator's seat options: Heated seats, air suspension, active seat cushion ventilation, fore/aft suspension	○
	Operator's seat – swivelling seat	○
	3.5" LED colour display, including with steering angle and tilt angle display	●
	7" LED multifunction colour display integrates additional functions such as cameras, Linde Safety Pilot and Pre-Op Check	○
	Armoured glass roof window	○
Illuminated DIN A4 clip board	○	
Radio incl. DAB+, MP3 player and Bluetooth hands-free kit	○	
Mast	High mounted tilt cylinders – including maintenance-free bearings	●
	Optimum visibility due to nested mast profiles on standard, duplex and triplex masts	●
	Electronically damped tilt stop	●
	Load damping for high level of driving comfort and reduced wear and tear	○
Attachments/ forks	Reinforced Linde fork pins – easy to adjust and long service life	○
	Integrated roller-guided side shifter with full nominal load capacity	○
	Integrated fork-adjusting device "VIEW" for high residual load capacity and optimum visibility	○
Axles and tyres	Linde combined steering axle – excellent manoeuvrability in the tightest spaces	●
	Super-elastic tyres (SE)	●
	Closed shoulder CS 20 tyres	○
	Anti-static tyres, non-marking	○
	Dirt deflectors/mud guards, front and rear	○
Drive and brake system	90 volt twin motor front-wheel drive with traction control and ramp assist	●
	Synchronous reluctance motors (SRM) for traction and lifting functions	●
	Operating settings – economy, efficiency and performance – for individual performance adjustment	●
	Automatic parking brake	●
Energy	Flexible, simple charging options thanks to convenient rear charging	●
	Charge anywhere thanks to fully integrated High Frequency (HF) on-board charger	○
	Fully integrated 90 volt Li-ION battery	●

● Standard equipment ○ Optional equipment

CHARACTERISTICS



Robust overhead guard

Safety

- Removal of the A-pillar results in outstanding all-round visibility
- Maximum stability thanks to vehicle's low centre of gravity
- Excellent overhead protection due to solid roof design
- Generous armoured glass roof available as an option for maximum overhead visibility
- Seatbelt monitoring and automatic parking brake
- Linde Curve Assist and Linde Load Assist as standard
- Numerous optional assistance systems for additional protection



Extended footwell

Ergonomics

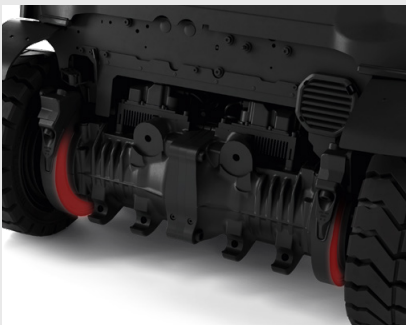
- Wide range of ergonomic comfort seats for optimum seating position
- Spacious operator workstation with more room for the head and feet
- Decoupled operator workstation protects against vibrations
- Intuitive operation thanks to twin pedal control and Linde Load Control
- Optional Linde Steer Control operating concept with joystick or mini wheel reduces physical strain



Unbeatable safety

Handling

- Removal of the A-pillar results in visibility-optimised manoeuvring and loading
- Lifting and lowering speeds up to 20 percent above industry standard
- Powerful due to innovative synchronous reluctance motors
- Manoeuvrability and stability thanks to different axle variants
- Optional onboard charger for flexible opportunity charging



Drive axles

Service

- Robust, low-wear design for low service costs
- Remote diagnostics and predictive maintenance through data analysis
- Maintenance-free, fully enclosed drive components
- Full inspection after 1000 operating hours
- Long maintenance intervals (change of hydraulic oil and hydraulic oil filter after 6000 hours)

Presented by:

Subject to modification in the interest of progress. Illustrations and technical specifications could include options and are not binding for actual constructions. All dimensions subject to usual tolerances.



Linde Material Handling GmbH
Carl-von-Linde-Platz | 63743 Aschaffenburg | Germany
Phone + 49 6021 99 0 | Fax + 49 6021 99 1570
www.linde-mh.com | info@linde-mh.com

DS_Xi14-Xi20_R_Xi16-Xi20_RP_1251_en_B_0625